

DURAKUT

6000 SERIES 2D DICER

SOLUTIONS



Precision Cuts of the
Highest Quality



MARLEN

A DURAVANT COMPANY

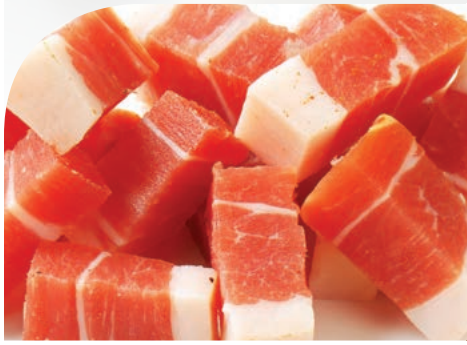
UNIQUE CUTTING ACTION PRODUCES ACCURATE, CONSISTENT SIZING WITHOUT TEARING THE PRODUCT.

Just like our Carruthers AdvantEdge series, our Carruthers DuraKut™ series is designed and built in the USA for complete cutting versatility of fresh, vacuum tumbled, crust frozen, or cooked products into cubes or strips. Equipped with VFD or servo drives, the DuraKut 2D dicer's powerful and precise indexing movements deliver the very best final product appearance. DuraKut's robust durable design with tool free disassembly, including removal of the conveyor belt and spiral knife, reduces change-over and sanitation teardown times for different cut sizes. DuraKut frames are built to the latest sanitary standards with open stainless steel channels and no tubular framing. With continuous flow processing and high throughputs, DuraKut models are controlled via a user-friendly HMI with icon-based graphics for the most intuitive interface. **DuraKut — CHANGING THE FOOD INDUSTRY ONE CUT AT A TIME.**

ADVANTAGES OF CARRUTHERS DURAKUT 2D DICER

- Made in the USA with centrally sourced parts, field service, and technical support
- VFD driven belts via drum motor (stainless steel motor and gear drive)
- Optional product discharge belt conveys finished product directly to dump buggy or takeaway conveyor
- Proprietary spiral knife design reduces fines and product movement during and after slicing along with tool free removal and installation
- 12.5" (317.5 mm) wide belt features tensionless belt take-up mechanism for easy belt installation and tool free removal
- Handles product up to 5" (127 mm) in height at any length, without the need for pre-cutting. Dice or strip any cut size from .1181" (3 mm) up to 4" (101 mm).
- Positive belt motion with center drive tensionless belt prevents belt cracking due to over tensioning
- Continuous flow processing design allows for smooth integration into any processing line. No need for batching.
- Controlled via a user-friendly HMI with icon-based graphics for the most intuitive interface for multilingual workforces
- Open design and fewer parts reduce teardown, sanitation, and reassembly time
- Gang knife cartridge can be easily mounted and removed with tool free disassembly
- Hinged covers and door panels with no external hinges
- EWON Wi-Fi capable (standard on servo)
- CE compliant
- Optional horizontal slicing attachment for 3D cuts



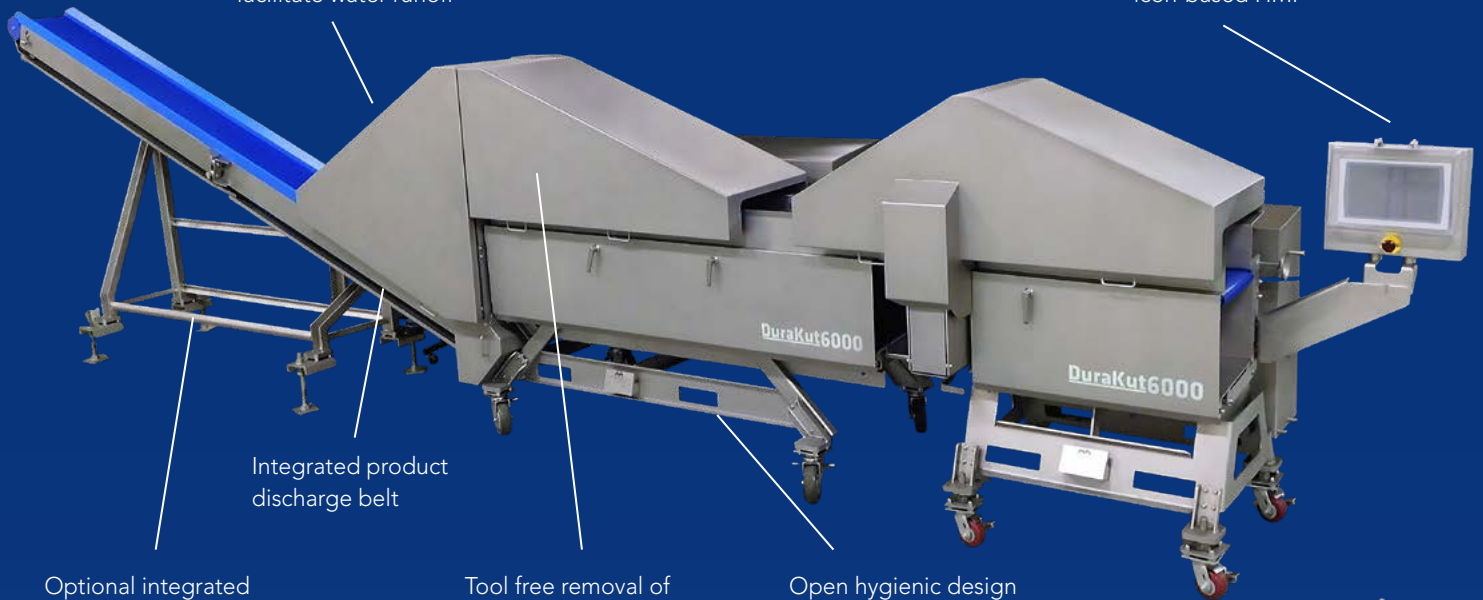


DURAKUT 2D DICER

with Optional Horizontal Slicing Attachment for 3D Cuts

Angled surfaces facilitate water runoff

User-friendly, icon-based HMI

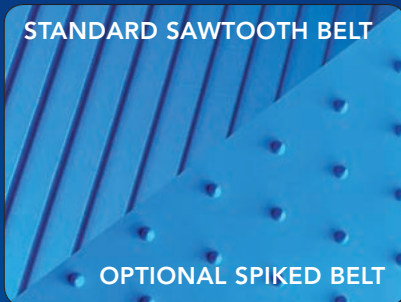


Integrated product discharge belt

Optional integrated takeaway conveyor (custom model pictured)

Tool free removal of gang knife cartridge

Open hygienic design



STANDARD SAWTOOTH BELT

OPTIONAL SPIKED BELT



SPIRAL KNIFE CARRIER

Detailed and Intuitive Controls Interface

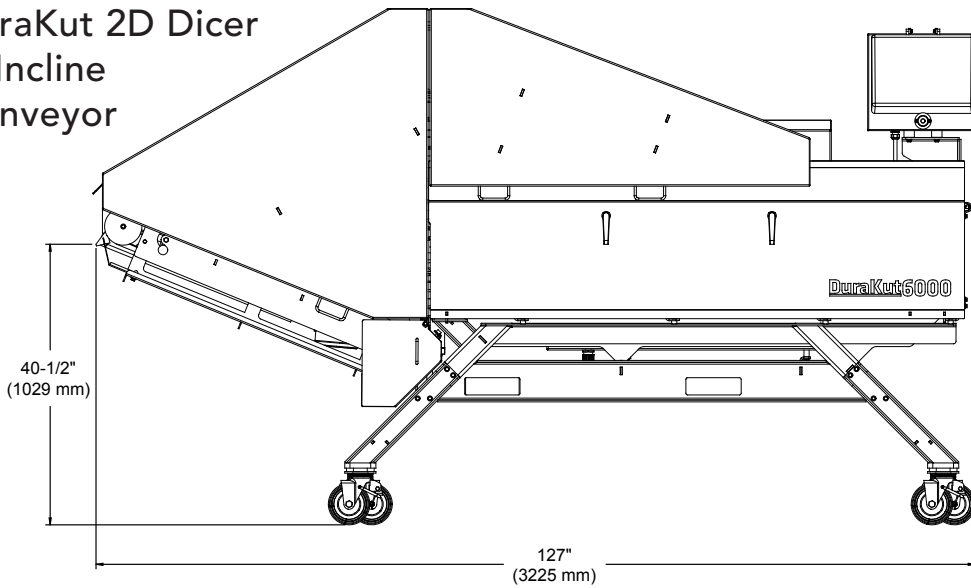


STAINLESS STEEL MESH BELT

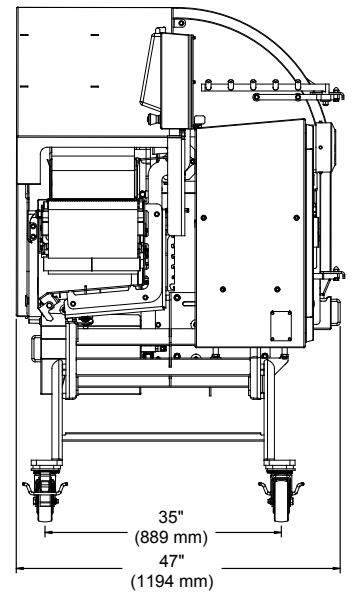
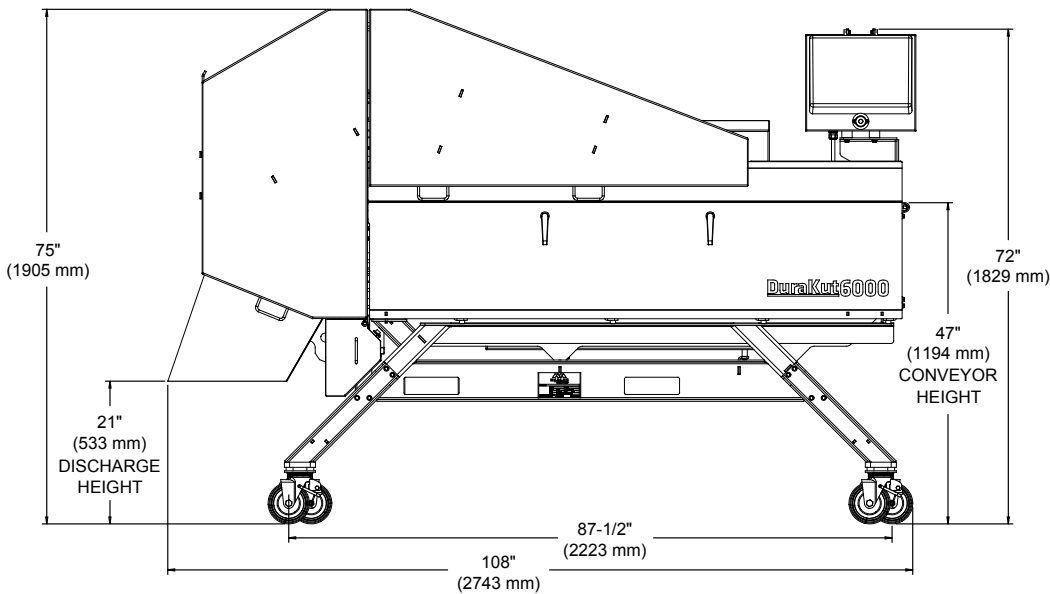


TECHNICAL DIAGRAMS

DuraKut 2D Dicer
w/Incline
Conveyor



DuraKut 2D Dicer w/Drop Chute



MARLEN

A DURAVANT COMPANY

4780 NW 41ST ST, STE. 100 • RIVERSIDE, MO 64150

TEL 913.888.3333 | TOLL FREE 800.862.7536 | FAX 913.888.6440 | EMAIL: SALES@MARLEN.COM | WWW.MARLEN.COM



MARLEN INTERNATIONAL IS A MEMBER OF THE DURAVANT FAMILY OF COMPANIES

FOOD PROCESSING SOLUTIONS | PACKAGING SOLUTIONS | MATERIAL HANDLING SOLUTIONS | SUPPORTPRO

www.duravant.com