



OPTI-XTRUDE

SPECIFICATIONS

UNIQUE TWIN PISTON CONTINUOUS PUMPING FOR CORN MASA OR POTATO-BASED SNACKS

Marlen's OPTI-Xtrude is specifically designed for the extrusion of viscous, shear-sensitive corn masa and potato-based snack foods. Our OPTI-Xtrude model, with its zero-slip, low-shear operation is capable of extruding a variety of products with improved product appearance and a higher product quality. From potato rings and twists to corn chips and snacks, Marlen extruders are known as the leader for continuous pumping.

ENHANCED PRODUCT APPEARANCE AND HIGHER PRODUCT QUALITY

- Optimum product density with maximum oil absorption for higher product quality, taste and yield
- Continuous throughput results in more uniform product
- Low shear operation eliminates product degradation

INCREASED CAPACITY

- Equipped with 6" pumping cylinders and 6" outlets connected to an 8" outlet, allowing for even product flow at a uniform rate

MINIMIZATION OF WASTE

- Unique twin-piston design with its zero-slip, low shear operation maximizes yields by minimizing waste
- Less fines in the cooking oil which decreases filtering and extends cooking oil life

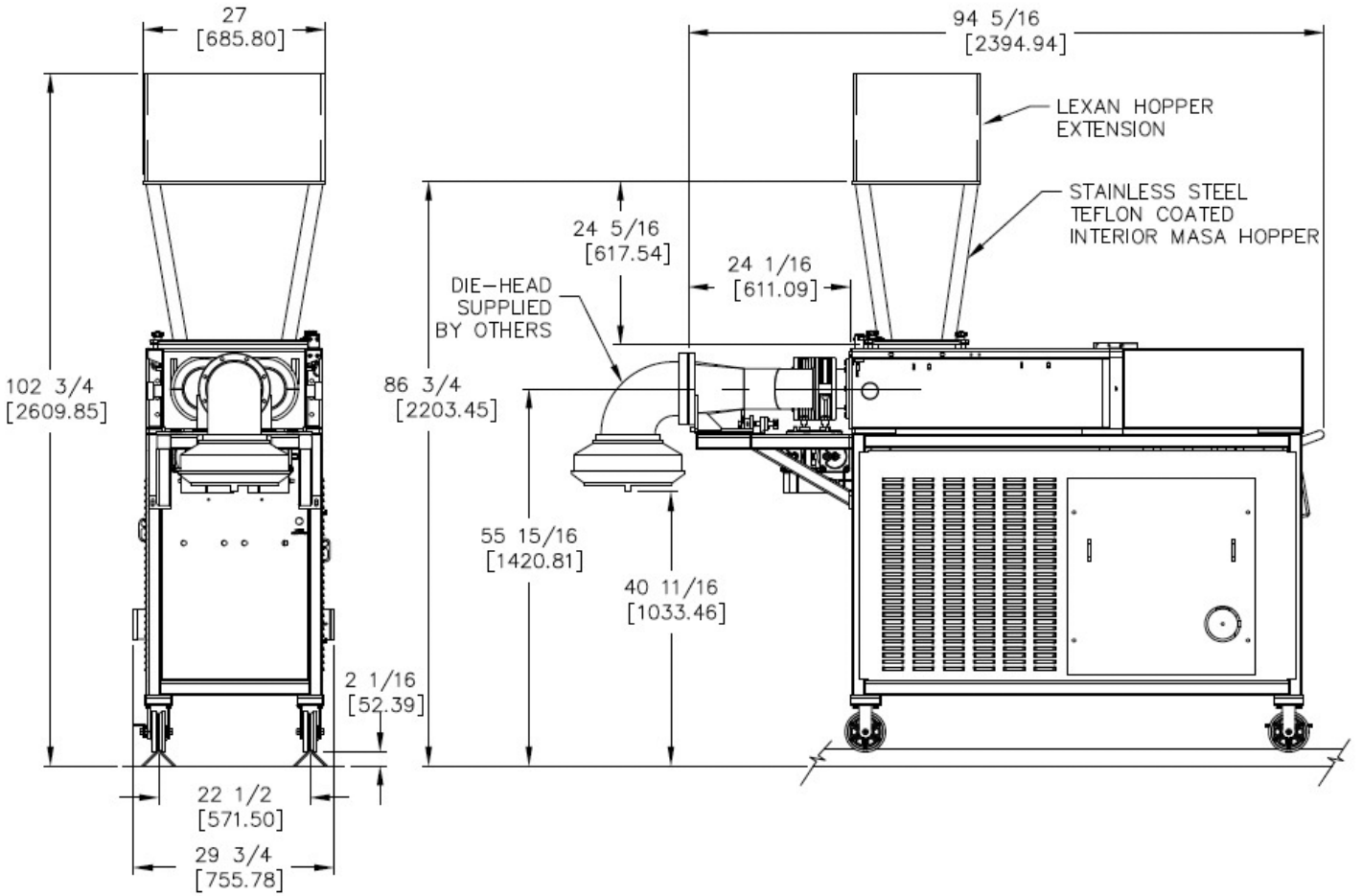


FEATURES

TECHNICAL SPECIFICATIONS

| FEATURES | TECHNICAL SPECIFICATIONS |
|--|-------------------------------|
| Machine dimensions | 94.5" L x 29.75" W x 88.25" H |
| Product outlet | 8" flanged |
| Piston size (diameter / stroke) | 6" (152 mm) x 14" (355 mm) |
| Max. product pressure (PSI / Bar) | 125 psi / 8.6 bar |
| Max. output | 2,354 lbs/hr (1,068 Kg/hr) |
| Hopper capacity | 300 lbs. (136 kg) |
| Electrical requirements (hydraulic unit) | 230/460 volt, 3 ph |
| Electrical requirements (PLC) | 24 volt DC |
| Water requirements (hydraulic unit) | Up to 5 gpm |
| Air requirements | 100 psi / 7 bar |
| Vacuum | 18 HG; 15 cfm |
| Net weight | 2,450 lbs. (1,111 kg) |

TECHNICAL SPECIFICATIONS



MARLEN

A DURAVANT COMPANY

4780 NW 41ST ST, STE. 100 • RIVERSIDE, MO 64150

TEL 913.888.3333 | TOLL FREE 800.862.7536 | FAX 913.888.6440 | EMAIL: SALES@MARLEN.COM | WWW.MARLEN.COM



MARLEN INTERNATIONAL IS A MEMBER OF THE DURAVANT FAMILY OF COMPANIES

FOOD PROCESSING SOLUTIONS | PACKAGING SOLUTIONS | MATERIAL HANDLING SOLUTIONS | SUPPORTPRO

www.duravant.com